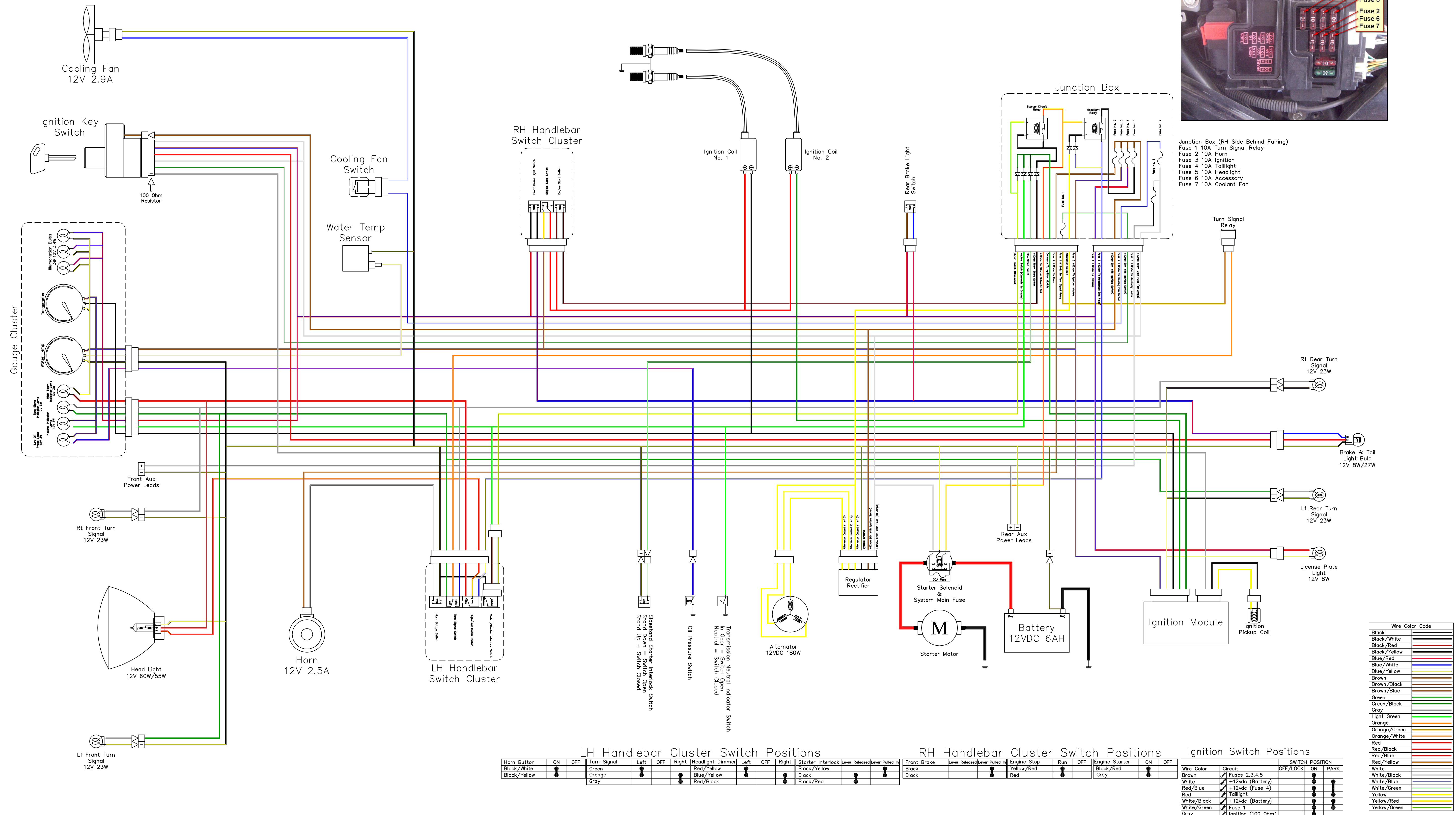


Wiring Schematic (Cut) Ninja 250



Revision	Date	Description
30.May.09		Clutch Starter Interlock Switch Wire Color At LH Handlebar Switch Cluster.
3.Jun.09		Sidestand Starter Interlock Switch Wire Color. Incorrect: Orange/White, Correct: Green/White.
31.Jan.10		LH Handlebar Switch Cluster: Drafting Error
23.Mar.11		Added 100 Ohm Resistor to Ignition Switch
10.Jan.12		Added Photo of Fuse Labels

PROPRIETARY INFORMATION
 Information provided in these drawings include technology developed by HELCKHOUSE INC. which is proprietary to HELCKHOUSE INC. and constitutes trade secrets. These drawings are provided only for the personal use of the proposed or actual LESSEE/PURCHASER in conjunction with the present production and for no other purpose. Proposed or actual LESSEE/PURCHASER agrees to maintain the information contained herein in confidence and to refrain from disclosing this information or permitting inspection by a third party. Proposed LESSEE/PURCHASER further agrees that it shall not utilize, duplicate, simulate or copy the construction or operation of the equipment described herein without obtaining the prior written consent of HELCKHOUSE INC.

SECRET CONFIDENTIAL

HELCKHOUSE
 North Plainfield, NJ 07060

JOB KAWASAKI NINJA 250

TITLE WIRING SCHEMATIC

DATE 31.Jan.2010	SCALE NTS	SHOW NO. 000	DRAWING NO. 00.00	REVISION 4
-------------------------	------------------	---------------------	--------------------------	-------------------

DRAWN BY DAVID